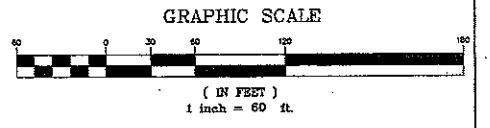
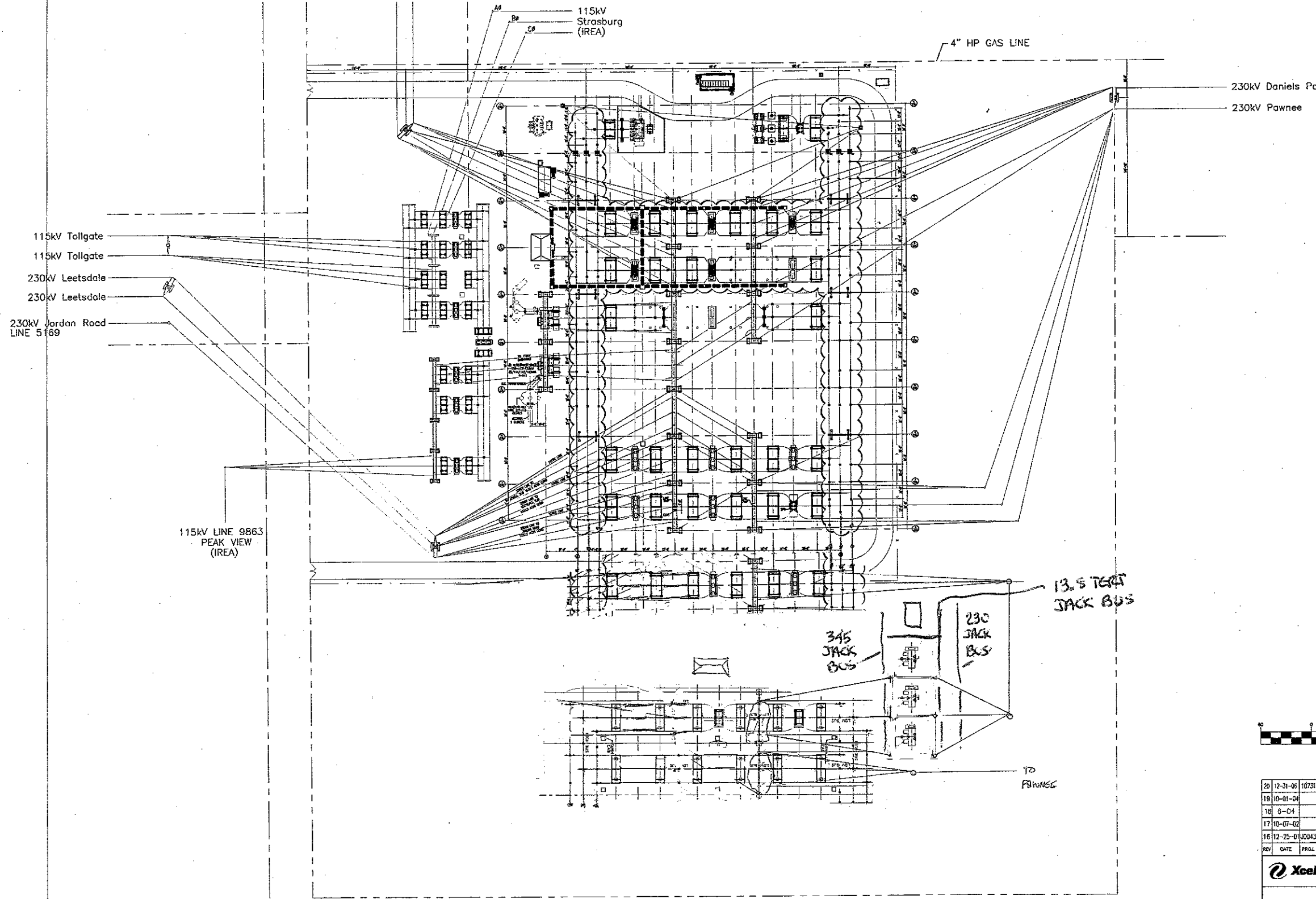


| A  | 7-16-07  | Add 345kV yard. | CM                   | BR          |       |          |     |      |
|--|----------|-----------------|----------------------|-------------|-------|----------|-----|------|
| REV  | DATE     | PROJ. No.       | REVISION DESCRIPTION | DWN         | DSN   | ENG      | CHK | FILM |
| <b>XcelEnergy</b> SUBSTATION ENGINEERING & DESIGN  |          |                 |                      |             |       |          |     |      |
| <b>PAWNEE</b><br>14940 Cty Rd 24 Brush, CO<br>970-571-7442<br>Lat. 40Deg 12Min 59Sec Long. -103Deg 40Min 42Sec |          |                 |                      |             |       |          |     |      |
| SIZE   | DWG. No. | <b>BUDGET</b>   |                      | <b>PAWN</b> |       | REV.     |     |      |
| <b>B</b>   |          |                 |                      |             |       | <b>A</b> |     |      |
| SCALE  | N.T.S.   | FILE NAME       | HP\Budget\PawnBD.dwg |             | SHEET | 1        |     |      |



|     |          |           |                                |     |     |     |     |
|-----|----------|-----------|--------------------------------|-----|-----|-----|-----|
| 20  | 12-31-06 | 10731821  | SMOKY HILL UPGRADE SPRUCE TERM | TM  | TM  | RC  | RC  |
| 19  | 10-01-04 |           | SHOW 4" HP GAS LINE            | LS  |     |     |     |
| 18  | 6-04     |           | AS-BUILT ISSUE                 | MC  | MC  | MC  | MC  |
| 17  | 10-07-02 |           | ADDED LINE TRAP FOR LINE 5169  | DA  | DA  | MC  | MC  |
| 16  | 12-25-01 | 10043898  | INSTALL 230 XFRM - 13KV MCS    | JT  | JT  | DB  | DB  |
| REV | DATE     | PROJ. NO. | REVISION DESCRIPTION           | DWR | DBN | ENG | CHK |

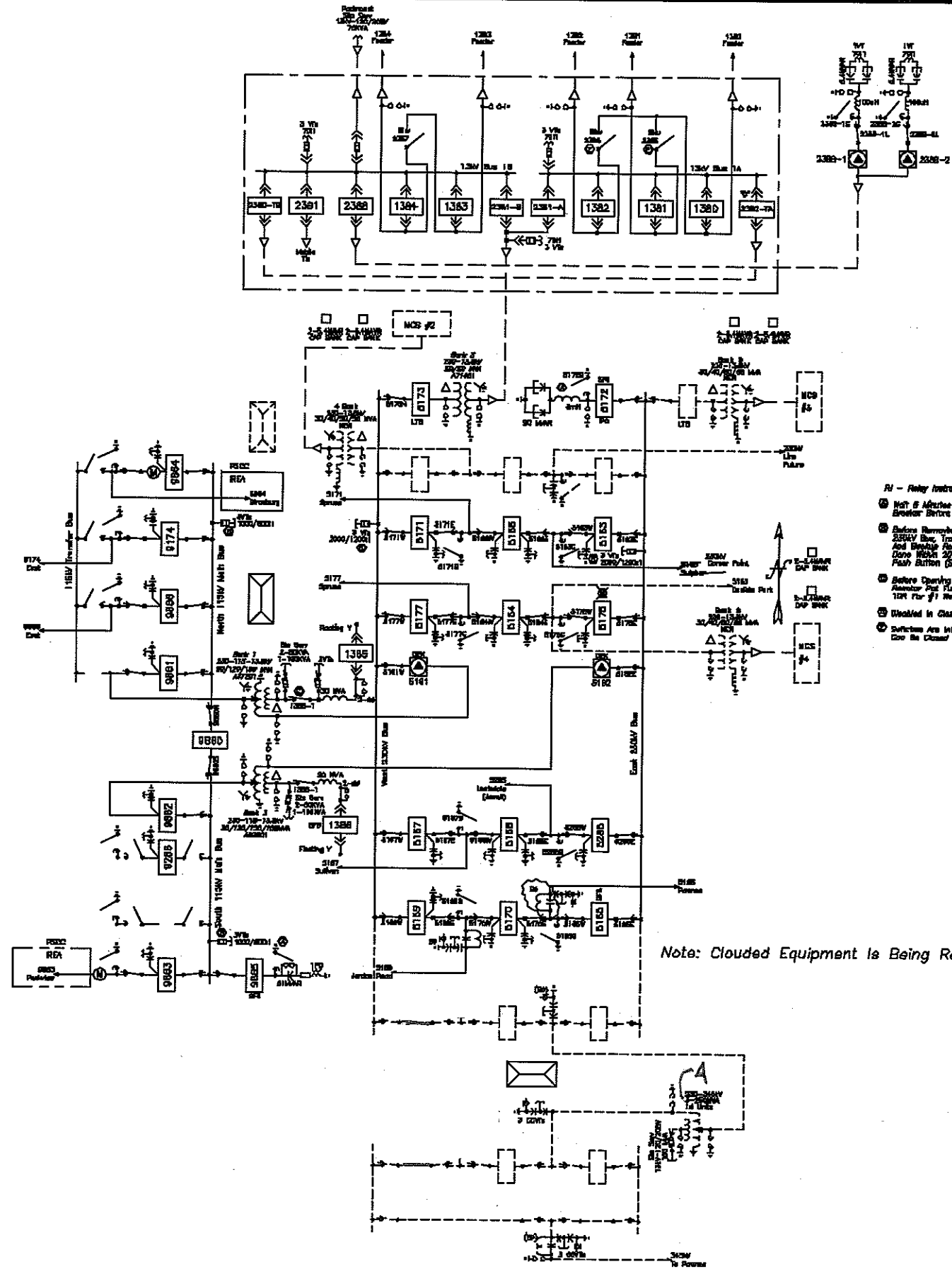
**Xcel Energy** SUBSTATION ENGINEERING & DESIGN

**SMOKY HILL SUB**  
GENERAL ARRANGEMENT

SB-100  
ACT 1B  
4-250 AUTO

|       |          |  |
|-------|----------|--|
| SIZE  | DWG. No. | REV.                                       |
| D     | 127-1.1  | 20   |
| SCALE | 1" = 60' | FILE NAME 0127-001.001501 SHEET No. 1 OF 1 |

MICROFILM No. 22



- R1 - Relay Instructions**
- ⓐ Not to Migrate After Opening 8865 Or 8172 Breaker Before Closing Ground Switch.
  - ⓑ Before Removing Potential To A 115KV Or A 25KV Bus, Transfer Potential For Line Relays And Monitor Relays. The Transfer Has To Be Done With 20 Cycle Transfer Mode With Push Button (208 W-17).
  - ⓒ Before Opening 1385-1 Line Or 1385-1 Resistor Put Run Dis And The 8171 Or 8172 For #1 Resistor Protection (208 W-82).
  - ⓓ Shunted in Closed Position.
  - ⓔ Switches Are Interlocked So That Only One Can Be Closed At A Time.

Note: Clouded Equipment Is Being Replaced.

1B-4-250 AUTO

| 0  | 09-07    | Sb-100 ALT    | CO                   |             |     |                  |     |      |
|--|----------|---------------|----------------------|-------------|-----|------------------|-----|------|
| REV  | DATE     | PROJ. No.     | REVISION DESCRIPTION | DWN         | DSN | ENG              | CHK | FILM |
| <b>Xcel Energy</b> SUBSTATION ENGINEERING & DESIGN   |          |               |                      |             |     |                  |     |      |
| <b>SMOKY HILL</b><br>4700 S. Gun Club Rd.<br>1/2 mi S. of Airline Rd on Hwy 30<br>303-791-4881 |          |               |                      |             |     |                  |     |      |
| SIZE<br><b>B</b>   | DWG. No. | <b>Budget</b> |                      | <b>SMOK</b> |     | REV.<br><b>0</b> |     |      |
| SCALE  | N.T.S.   | FILE NAME     | Dmse/SmokBB.dwg      | SHEET       | 1   |                  |     |      |